

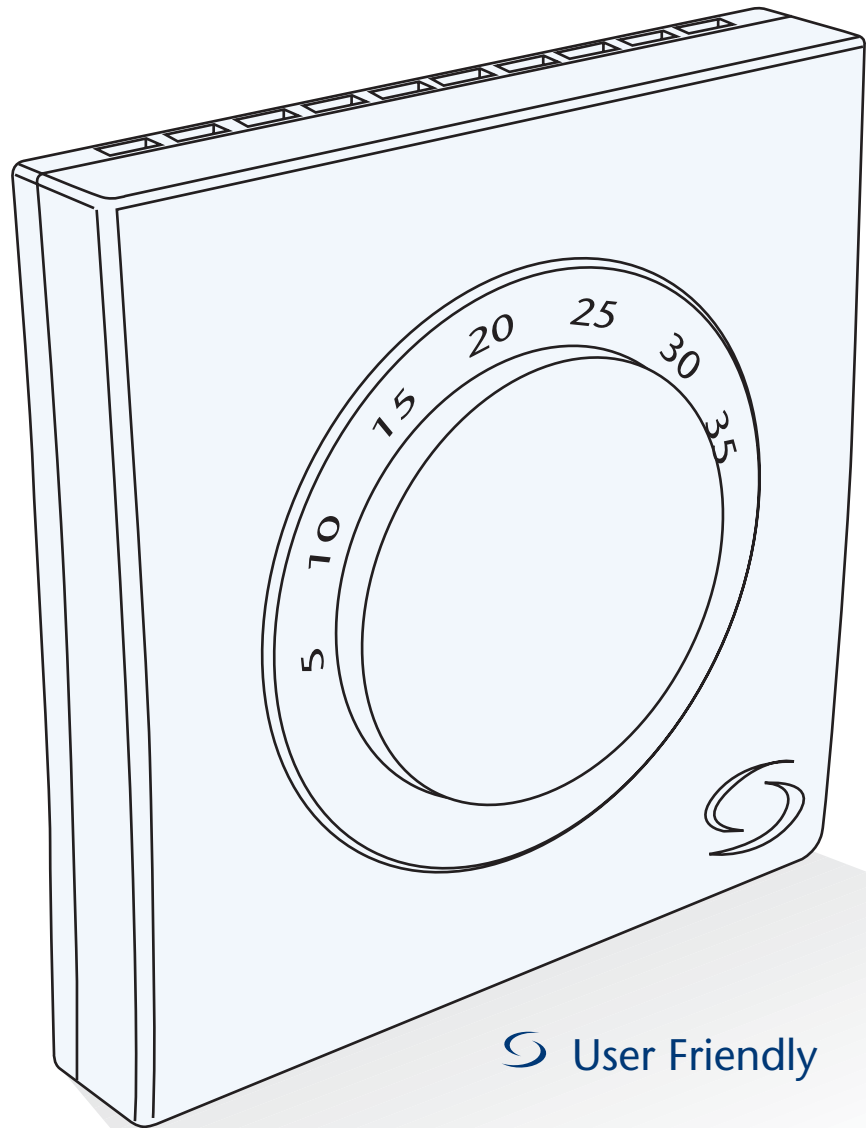


Electronic Room THERMOSTAT

Model No. **RT200**

Features

- Stylish Casing
- Simple to use
- Indicator light to show heat called for
- Easy to install
- Industry standard wiring back plate



User Friendly

The RT200 is a mains voltage electronic room thermostat that provides automatic temperature control for all central heating applications. The accuracy of the RT200 will improve system efficiency and reduce running costs. The RT200 boasts an easy to use dial which provides a simple operation for the user.

Heating Controls

Electronic Room THERMOSTAT

Model No. **RT200**

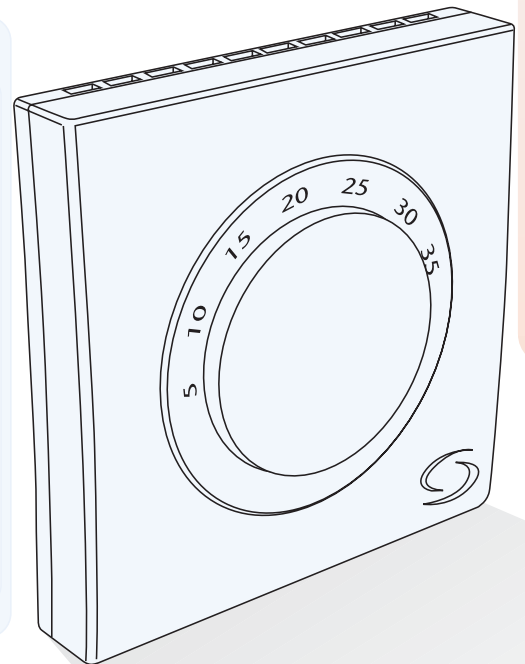
Installation

The RT200 can be either surface mounted or flush switch box mounted. The standard Industry back plate provides ease of wiring. The back plate has holes to suit switch boxes and provision for surface wiring.

The RT200 must be located where it would not be subjected to extraneous heat gain/loss (such as above radiators, direct sunlight or in draughts).

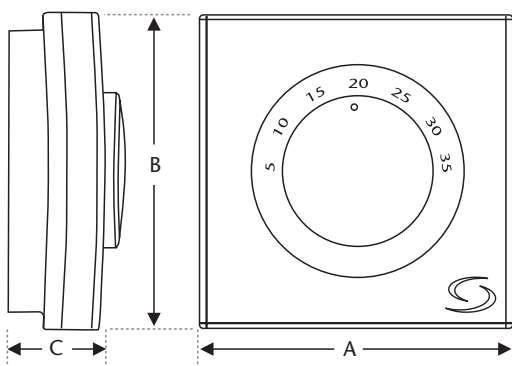
Specification

Switch Rating	: 230V/50Hz/3A
Switch Type	: Single pole, single throw (SPST)
Power Supply	: 230V/50Hz
Operating Temperature	: 0°C - 50°C
Temperature Setting Range	: 5°C - 35°C
Storage Conditions	: -20°C - 55°C to 90% RH/non condensing
Temperature Control Accuracy	: +/- 1°C at 25°C
Operating Humidity	: 0 to 90% RH/non condensing
Agency Approval	: CE



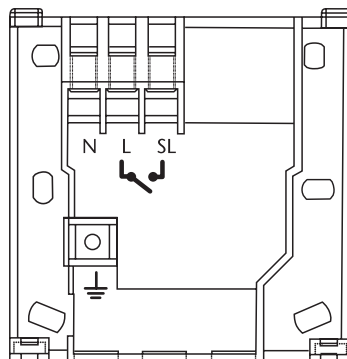
Heating Controls

Dimension (mm)



A	B	C
95	95	40

Wiring Diagram



SALUS[®]
TECHNOLOGY GROUP

Sales +44 (0) 8700 766900 Technical +44 (0) 8700 766902 Customer Services +44 (0) 8700 766902

Salus Controls plc Enterprise Park, Bala, Gwynedd, LL23 7NL Regional offices, England & Scotland.

Maintaining a policy of continual product development Salus Controls Plc. reserve the right to change specification, design and materials of products listed in this brochure without prior notice.

Web: www.salus-tech.com Email: sales@salus-tech.com