

- Ⓓ **Bedienungsanleitung**
Heißluftpistole
- Ⓔ **Operating Instructions**
Hot Air Gun
- Ⓕ **Mode d'emploi**
Pistolet à air chaud
- Ⓘ **Istruzioni per l'uso**
Pistola termica
- ⒹⓃ **Betjeningsvejledning**
Varmluftpistol
- Ⓗ **Használati utasítás**
Hőlégpisztoly
- ⒽⓇ **Upute za uporabu**
Pištolj za vrući zrak
- ⒻⓇ **Uputstva za upotrebu**
Pištolj za vrući vazduh
- ⒸⓏ **Návod k obsluze**
Horkovzdušná pistole
- ⒸⓀ **Návod na obsluhu**
Teplovzdušná pištoľ

Einhell[®]

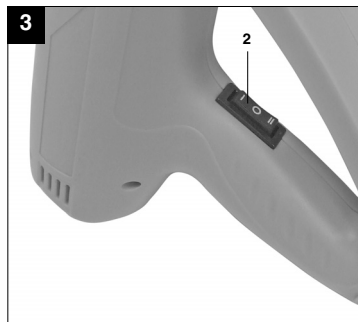
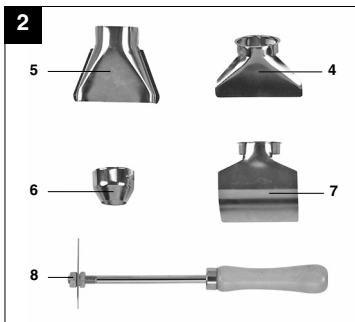
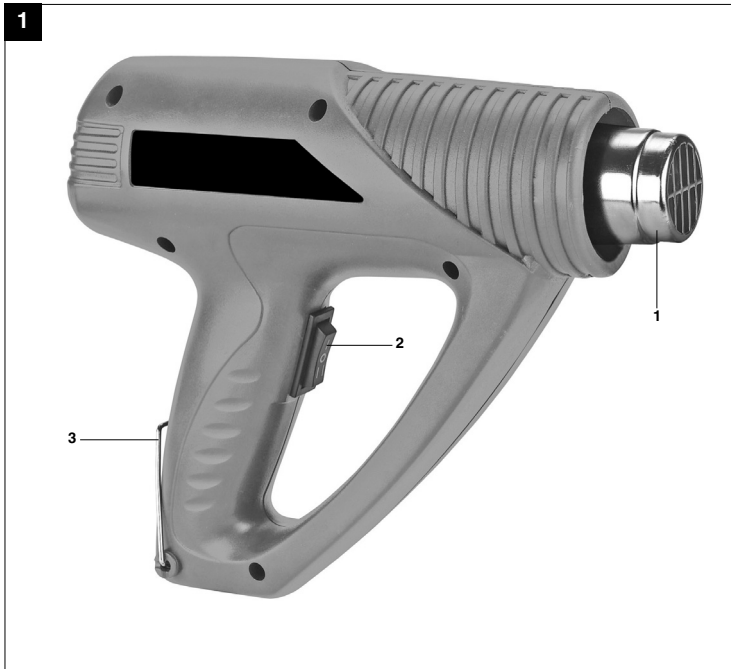
1



Art.-Nr.: 45.201.67

I.-Nr.: 01017

BT-HA **2000**

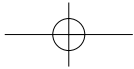
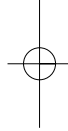
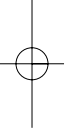




"Caution - Read the operating instructions to reduce the risk of injury"



The nozzle outlet must be kept a minimum distance of 7 cm from the workpiece you are working on or the accumulating air may cause damage to the equipment.



GB**⚠ Important!**

When using equipment, a few safety precautions must be observed to avoid injuries and damage. Please read the complete operating manual with due care. Keep this manual in a safe place, so that the information is available at all times. If you give the equipment to any other person, give them these operating instructions as well.

We accept no liability for damage or accidents which arise due to non-observance of these instructions and the safety information.

1. Safety regulations

The corresponding safety information can be found in the enclosed booklet.

⚠ CAUTION!**Read all safety regulations and instructions.**

Any errors made in following the safety regulations and instructions may result in an electric shock, fire and/or serious injury.

Keep all safety regulations and instructions in a safe place for future use.

Additional safety instructions:

- Ensure that the ON/OFF switch is set to "0" (OFF) before you insert the plug into the socket.
- **The nozzle reaches temperatures of up to 600°C. Fire hazard! Wear protective gloves and eye wear. The nozzle should not be touched during operation.**
- Allow the hot air pistol to completely cool before putting away.
- Never expose the unit to rain or moisture. Store the unit in a dry place.
- Do not leave the unit unattended. Keep out of reach of children.
- **Never direct the air flow at people or animals. Do not use the unit to dry clothing or hair. Do not use the hot air blower as a hair dryer.**
- Do not use the unit near easily flammable or explosive substances or gasses.
- Never block the hot air flow by plugging or covering the air flow exit.
- Use only original accessory and replacement parts from the manufacturer.
- Do not wear loose clothing or jewelry. Wear slip-resistant shoes and wear a hair net for long hair. During operation maintain a secure footing.
- Never use the unit in wet surroundings or in areas with high humidity (bathroom, sauna, etc.).
- Check your work area for easily flammable substances and materials before using the hot

air pistol.

- Never carry the hot air pistol by the power supply cord.
- Only use extension cords with a minimum cross-section area of 1,5 mm².
- Repairs (for example power supply cord replacement) should be performed only by a qualified electrician.
- Do not use chemical paint removers or solvents at the same time as the hot air pistol.
- Clean the nozzle when soiled.
- Be sure that the openings for air entry and exit are always clean and free of dirt.
- Hazardous or poisonous gasses can be freed when removing paint. Be sure to provide adequate ventilation while working indoors.
- Never point the hot air directly at windows or other glass surfaces.
- This equipment is not designed to be used by people (including children) with limited physical, sensory or mental capacities or those with no experience and/or knowledge unless they are supervised by a person who is responsible for their safety or they have received instructions from such a person in how to use the equipment safely. Children must always be supervised in order to ensure that they do not play with the equipment.

2. Layout and items supplied (Fig. 1/2)

1. Nozzle
2. 3-setting ON/OFF switch
3. suspension shackle
4. Heat nozzle
5. Wide nozzle
6. Reducer nozzle
7. Reflector nozzle
8. Paint scraper


3. Proper use

The hot air blower is designed for heating shrink-fit hoses, for removing paint and for welding and shaping plastics.

The equipment is to be used only for its prescribed purpose. Any other use is deemed to be a case of misuse. The user / operator and not the manufacturer will be liable for any damage or injuries of any kind caused as a result of this.

Please note that our equipment has not been designed for use in commercial, trade or industrial applications. Our warranty will be voided if the machine is used in commercial, trade or industrial businesses or for equivalent purposes.

4. Technical data

Mains voltage:	230 V- 50 Hz
Power input:	2000 W
Temperature:	350°C / Setting 1 550°C / Setting 2
Air volume:	300 l / Setting 1 500 l / Setting 2
Protection class:	II / 
Weight:	0.7 kg

5. Before starting the equipment

Before you connect the equipment to the mains supply make sure that the data on the rating plate are identical to the mains data.

6. Starting up

6.1 3-setting ON/OFF switch (Figure 3)
Select the required working temperature and air volume with the ON/OFF switch (2).

Within a very short space of time the hot air gun will reach operating temperature.

Switch position 1:

1. Setting – 350°C / 300 liters/min.

Center position:

Equipment is switched off.

Switch position 2:

2. Setting – 550°C / 500 liters/min.

6.2 Possible uses for the hot air pistol:

- Removal of paint and lacquer. **Attention! Hazardous or poisonous gasses may be produced while removing paint or lacquer. Be sure to provide adequate ventilation.**
- Removal of stickers and decorations.
- Loosening of rusted or tightly fastened nuts and metal screws.

- Thawing of frozen pipes, door locks, etc.
- **Attention: no not attempt to thaw plastic or synthetic pipes.**
- Accentuation of natural wood grains before staining or lacquing.
- Shrinkage of PVC packaging foils and insulation tubes.
- Waxing and de-waxing of skis.

Caution: Intensive heating means a higher risk of fire and explosion! Ensure good ventilation. Harmful and/or toxic gases and vapors may be emitted.

6.3 Selecting the right nozzle

- The heat nozzle (4) is designed to protect e.g. glass panes from overheating by diverting the hot air. For removing paint.
- The wide nozzle (5) provides uniform air distribution on small surfaces
- The reducer nozzle (6) provides a targeted jet of heat for corners and for soldering work.
- The reflector nozzle (7) is designed for soldering and shaping tubes, for defrosting water pipes and for shrinking insulating hoses.

7. Replacing the power cable

If the power cable for this equipment is damaged, it must be replaced by the manufacturer or its after-sales service or similarly trained personnel to avoid danger.

8. Cleaning, maintenance and ordering of spare parts

Always pull out the mains power plug before starting any cleaning work.

8.1 Cleaning

- Keep all safety devices, air vents and the motor housing free of dirt and dust as far as possible. Wipe the equipment with a clean cloth or blow it with compressed air at low pressure.
- We recommend that you clean the device immediately each time you have finished using it.
- Clean the equipment regularly with a moist cloth and some soft soap. Do not use cleaning agents or solvents; these could attack the plastic parts of the equipment. Ensure that no water can seep into the device.



8.2 Maintenance

There are no parts inside the equipment which require additional maintenance.

8.3 Ordering replacement parts:

Please quote the following data when ordering replacement parts:

- Type of machine
- Article number of the machine
- Identification number of the machine
- Replacement part number of the part required

For our latest prices and information please go to www.isc-gmbh.info

9. Disposal and recycling

The unit is supplied in packaging to prevent its being damaged in transit. This packaging is raw material and can therefore be reused or can be returned to the raw material system.

The unit and its accessories are made of various types of material, such as metal and plastic. Defective components must be disposed of as special waste. Ask your dealer or your local council.



Konformitätserklärung

ISC-GmbH · Eschenstraße 6 · D-94405 Landau/Isar

- Ⓒ erklårt folgende Konformität gemäß EU-Richtlinie und Normen für Artikel
- Ⓓ declares conformity with the EU Directive and standards marked below for the article
- Ⓔ déclare la conformité suivante selon la directive CE et les normes concernant l'article
- Ⓝ verklaart de volgende conformiteit in overeenstemming met de EU-richtlijn en normen voor het artikel
- Ⓔ declara la siguiente conformidad a tenor de la directiva y normas de la UE para el artículo
- Ⓔ declara a seguinte conformidade de acordo com a directiva CE e normas para o artigo
- Ⓔ förklarar följande överensstämmelse enl. EU-direktiv och standarder för artikeln
- Ⓔ ilmoittaa seuraavaa Euroopan unionin direktiivien ja normien mukaista yhdenmukaisuutta tuotteelle
- Ⓔ erklærer herved følgende samsvar med EU-direktiv og standarder for artikkelen
- Ⓔ заявляєт о соответствии товара следующим директивам и нормам ЕС
- Ⓔ izjavljuje sljedeću uskladenost s odredbama i normama EU za artikl.
- Ⓔ declarã urmãtoarea conformitate cu linia directoare CE și normele valabile pentru articolul.
- Ⓔ ürün ile ilgili olarak AB Yönetmelikleri ve Normları gereğince aşağıdaki uygunluk açıkları masını sunar.
- Ⓔ δηλώνει την ακόλουθη συμμόρφωση σύμφωνα με την Οδηγία ΕΕ και τα πρότυπα για το προϊόν

- Ⓒ dichiara la seguente conformità secondo la direttiva UE e le norme per l'articolo
- Ⓓ attesterer følgende overensstemmelse i henhold til EU-direktiv og standarder for produkt
- Ⓔ prohlašuje následující shodu podle směrnice EU a norm pro výrobek.
- Ⓔ a következő konformitást jelenti ki a termékerekre vonatkozó EU-irányvonalak és normák szerint
- Ⓔ pojasnjuje sledečo skladnost po smernici EU in normah za artikel.
- Ⓔ deklaruje zgodnosć wymienionego poniżej artykułu z następującymi normami na podstawie dyrektywy WE.
- Ⓔ vydáva nasledujúce prehlásenie o zhode podľa smernice EU a noriem pre výrobok.
- Ⓔ декларира следното съответствие съгласно директивите и нормите на ЕС за продукта.
- Ⓔ заявляє про відповідність згідно з Директивою СС та стандартами, чинними для даного товару
- Ⓔ deklareerib vastavuse järgnevale EL direktiivi dele ja normidele
- Ⓔ deklaruoja atitikti pagal ES direktyvas ir normas
- Ⓔ izjavljuje sledeći konformitet u skladu s odredbom EZ i normama za artikl
- Ⓔ Atbilstības sertifikāts apliecina zemāk minēto preču atbilstību ES direktīvam un standartiem
- Ⓔ Samræmleifirýsing staðfestir eftirfarandi samræmi samkvæmt reglum Evrópubandalagsins og stöðlum fyrir vörur

Heißluftpistole BT-HA 2000

- | | |
|---|---|
| <input checked="" type="checkbox"/> 98/37/EC | <input type="checkbox"/> 87/404/EEC |
| <input checked="" type="checkbox"/> 2006/95/EC | <input type="checkbox"/> R&TTED 1999/5/EC |
| <input type="checkbox"/> 97/23/EC | <input type="checkbox"/> 2000/14/EC_2005/88/EC: |
| <input checked="" type="checkbox"/> 2004/108/EC | <input type="checkbox"/> 95/54/EC: |
| <input type="checkbox"/> 90/396/EEC | <input type="checkbox"/> 97/68/EC: |
| <input type="checkbox"/> 89/686/EEC | |

EN 60335-1; EN 60335-2-45; EN 55014-1; EN 55014-2; EN 61000-3-2; EN 61000-3-3

Landau/Isar, den 13.02.2008

[Signature]
Weichselgartner
General-Manager

[Signature]
Mayr
Product-Management

Art.-Nr.: 45.201.67 I.-Nr.: 01017
Subject to change without notice

Archivierung: 4520160-11-4155050



② Nur für EU-Länder

Werfen Sie Elektrowerkzeuge nicht in den Hausmüll!

Gemäß europäischer Richtlinie 2002/96/EG über Elektro- und Elektronik-Altgeräte und Umsetzung in nationales Recht müssen verbrauchte Elektrowerkzeuge getrennt gesammelt werden und einer umweltgerechten Wiederverwertung zugeführt werden.

Recycling-Alternative zur Rücksendeaufforderung:

Der Eigentümer des Elektrogerätes ist alternativ anstelle Rücksendung zur Mitwirkung bei der sachgerechten Verwertung im Falle der Eigentumsaufgabe verpflichtet. Das Altgerät kann hierfür auch einer Rücknahmestelle überlassen werden, die eine Beseitigung im Sinne der nationalen Kreislaufwirtschafts- und Abfallgesetze durchführt. Nicht betroffen sind den Altgeräten beigelegte Zubehörteile und Hilfsmittel ohne Elektrobestandteile.

② For EU countries only

Never place any electric tools in your household refuse.

To comply with European Directive 2002/96/EC concerning old electric and electronic equipment and its implementation in national laws, old electric tools have to be separated from other waste and disposed of in an environment-friendly fashion, e.g. by taking to a recycling depot.

Recycling alternative to the demand to return electrical devices:

As an alternative to returning the electrical device, the owner is obliged to cooperate in ensuring that the device is properly recycled if ownership is relinquished. This can also be done by handing over the used device to a returns center, which will dispose of it in accordance with national commercial and industrial waste management legislation. This does not apply to the accessories and auxiliary equipment without any electrical components which are included with the used device.

② Uniquement pour les pays de l'Union Européenne

Ne jetez pas les outils électriques dans les ordures ménagères.

Selon la norme européenne 2002/96/CE relative aux appareils électriques et systèmes électroniques usés et selon son application dans le droit national, les outils électriques usés doivent être récoltés à part et apportés à un recyclage respectueux de l'environnement.

Possibilité de recyclage en alternative à la demande de renvoi :

Le propriétaire de l'appareil électrique est obligé, en guise d'alternative à un envoi en retour, à contribuer à un recyclage effectué dans les règles de l'art en cas de cessation de la propriété. L'ancien appareil peut être remis à un point de collecte dans ce but. Cet organisme devra l'éliminer dans le sens de la Loi sur le cycle des matières et les déchets. Ne sont pas concernés les accessoires et ressources fournies sans composants électroniques.

GUARANTEE CERTIFICATE

Dear Customer,

All of our products undergo strict quality checks to ensure that they reach you in perfect condition. In the unlikely event that your device develops a fault, please contact our service department at the address shown on this guarantee card. Of course, if you would prefer to call us then we are also happy to offer our assistance under the service number printed below. Please note the following terms under which guarantee claims can be made:

1. These guarantee terms cover additional guarantee rights and do not affect your statutory warranty rights. We do not charge you for this guarantee.
2. Our guarantee only covers problems caused by material or manufacturing defects, and it is restricted to the rectification of these defects or replacement of the device. Please note that our devices have not been designed for use in commercial, trade or industrial applications. Consequently, the guarantee is invalidated if the equipment is used in commercial, trade or industrial applications or for other equivalent activities. The following are also excluded from our guarantee: compensation for transport damage, damage caused by failure to comply with the installation/assembly instructions or damage caused by unprofessional installation, failure to comply with the operating instructions (e.g. connection to the wrong mains voltage or current type), misuse or inappropriate use (such as overloading of the device or use of non-approved tools or accessories), failure to comply with the maintenance and safety regulations, ingress of foreign bodies into the device (e.g. sand, stones or dust), effects of force or external influences (e.g. damage caused by the device being dropped) and normal wear resulting from proper operation of the device.

The guarantee is rendered null and void if any attempt is made to tamper with the device.
3. The guarantee is valid for a period of 2 years starting from the purchase date of the device. Guarantee claims should be submitted before the end of the guarantee period within two weeks of the defect being noticed. No guarantee claims will be accepted after the end of the guarantee period. The original guarantee period remains applicable to the device even if repairs are carried out or parts are replaced. In such cases, the work performed or parts fitted will not result in an extension of the guarantee period, and no new guarantee will become active for the work performed or parts fitted. This also applies when an on-site service is used.
4. In order to assert your guarantee claim, please send your defective device postage-free to the address shown below. Please enclose either the original or a copy of your sales receipt or another dated proof of purchase. Please keep your sales receipt in a safe place, as it is your proof of purchase. It would help us if you could describe the nature of the problem in as much detail as possible. If the defect is covered by our guarantee then your device will either be repaired immediately and returned to you, or we will send you a new device.

Of course, we are also happy offer a chargeable repair service for any defects which are not covered by the scope of this guarantee or for units which are no longer covered. To take advantage of this service, please send the device to our service address.