

SERVICE & WARRANTY

- Do not operate the unit with a damaged cord or plug, after the unit malfunctions, or has been dropped or damaged.
- For your convenience, record the complete model number and product name (located on the Product Identification Plate), the date you purchased the product, and attach your purchase receipt docket as proof of purchase. To ensure your product is covered by warranty, the complete faulty product together with your purchase receipt should be returned to your retailer.

ONE (1) YEAR LIMITED WARRANTY SAVE THIS WARRANTY INFORMATION

EHS (International) Ltd. guarantees this product free from defects in materials and workmanship for a period of one (1) year.

Should this unit be operated under conditions other than those recommended, at voltages other than the voltage indicated on the unit, or any attempts made to service or modify the unit, this will render **WARRANTY VOID**. The product you buy may sometimes differ slightly from illustration. This warranty is in addition to, and does not affect, your statutory rights

Should you have a problem with this product, please contact to our help desk, Tel: (0870) 742 5021

This product has been manufactured to comply with EEC Directives 73/23/EEC and 89/336/EEC

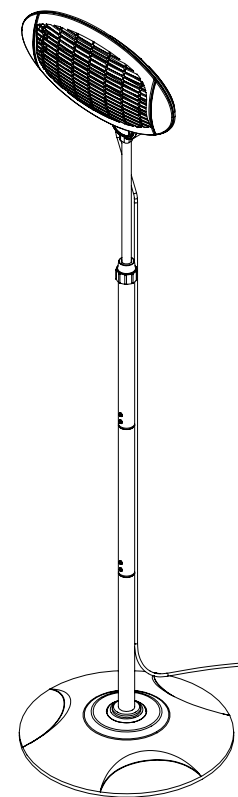
EHS 12/05

EHS, Manchester, M17 1RN



PATIO FAR-INFRARED QUARTZ HEATER

HQH-2000S



**Please read this instruction manual before operating
and keep safe for future reference.**

Thank you for purchasing this patio heater. With the unpredictable British weather this easy to use energy efficient patio heater can be powered up to provide instant direct heat to your patio or deck area all year round. This heater can also be used to provide supplementary heat to a garage or workshop.

IMPORTANT SAFETY INSTRUCTIONS

CAUTION: Read and follow all instructions before operating this heater.

Failure to comply with these instructions may cause a fire, electrical shocks or other injury to persons or property

1. This heater is hot when in use. To avoid burns DO NOT touch the Heating element. DO NOT adjust the angle of the heater head when the unit is hot. Wait a minimum of 15 minutes for the heater to cool down before moving location.
2. Extreme care should be taken when any heater is used by, or near children and disabled persons, and whenever the heater is left operating and unattended.
3. Before operating the heater remove the unit from its packaging, fully assemble the heater and check it is in good condition.
4. DO NOT let children play with the packaging, for example plastic bags.
5. DO NOT operate any heater with a damaged cord or plug, or after the heater malfunctions, has been dropped, or damaged in any manner. Return the heater to an authorised service facility for examination and repair.
6. DO NOT attempt to repair or adjust any electrical or mechanical functions as this may void warranty.
7. Check the household voltage to ensure it matches the appliance's rated specification before using the heater.
8. Locate the heater on a flat stable surface e.g. Patio or decking. DO NOT sit the heater on unstable ground.
9. This heater is designed for use in gardens, garages, workshops and any room in the house where there is a risk of splashing. The unit has been IPX4 approved, which means that it is splash proof. However, it is strongly recommended that the heater is stored in a shed or garage during heavy rain. Never locate the heater where it may fall into a pond or swimming pool. When not in use always store in a dry area. The installation and use of your appliance must comply with the applicable standards in your country. If you have any questions please consult a qualified electrician or call the EHS help desk number listed on the back cover.
10. DO NOT run power cord under carpeting, or cover with rugs or runners. DO NOT hide the power cord in long grass or leave close to an operating lawnmower. Arrange the cord away from areas where it may be tripped over.
11. DO NOT insert or allow objects to touch the heating element and never place anything on the heater safety guard (e.g. towels), as this may damage the heater and could cause an electrical shock or fire. Never use your heater to dry washing.
12. If the heating element has stopped glowing it may still be live, please check that the heat setting (point 5 on product description) indicates the heater is off '0'.
13. DO NOT use the heater in areas where petrol, paint, or other flammable substances are stored.
14. Where possible, avoid the use of extension cords as they may overheat and cause a risk of fire. However, if you have to use an extension cord, the cord must be of minimum 1.5 mm² core cross sectional area or larger and rated a minimum of 2000 Watts. If you use a coiled (cable-tidy type) extension cord, ensure that all cable is uncoiled from the cable drum. Leaving coiled cable on the drum will cause overheating of the cable. Never use a single extension cord to operate more than one heater.
15. Always check power cord for damage before plugging the appliance into the mains socket. Do not use the appliance if the power cord or insulation is damaged. Always use an RCD (Residual Current Device) socket or plug adaptor to prevent an electrical shock due to accidental damage of the power cord or appliance.
16. Always unplug the heater when not in use. To disconnect from the power supply, grip the plug and pull from the power socket. Never pull by the cord.

BS PLUG WIRING INSTRUCTIONS

Wiring Instructions: Should it be necessary to change the plug please note the wires in the mains lead are coloured in accordance with the following code :

BLUE - NEUTRAL
BROWN - LIVE
GREEN AND YELLOW - EARTH

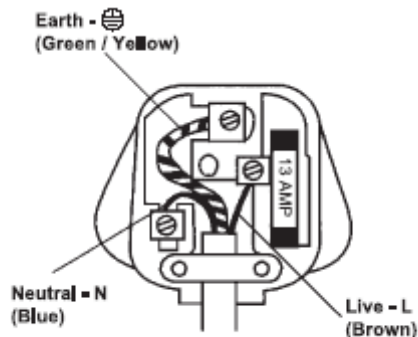
As the colours of the wires in the mains lead of this appliance may not correspond with the coloured markings identifying the terminals in your plug, proceed as follows:

1. The **BLUE** wire is the **NEUTRAL** and must be connected to the terminal which is marked with the letter **N** or coloured **BLACK**.
2. The **BROWN** wire is the **LIVE** and must be connected to the terminal which is marked with the letter **L** or coloured **RED**.
3. The **GREEN/YELLOW** is the **EARTH** and must be connected to the terminal which is marked with the letter **E** or \oplus or coloured **GREEN OR GREEN/YELLOW**.
4. Always ensure that the cord grip is positioned and fastened correctly.

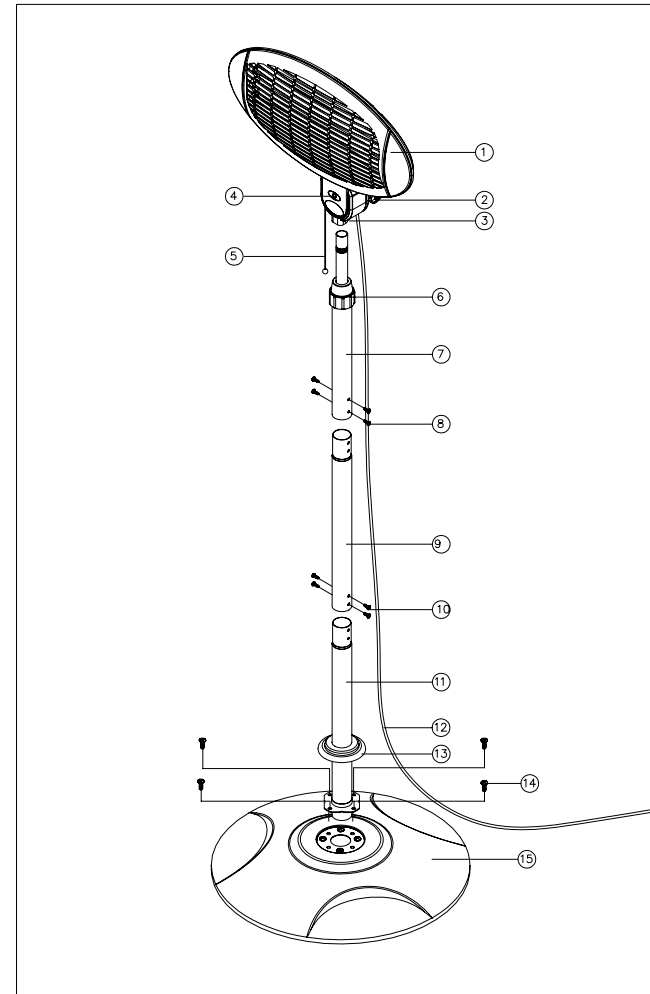
If a **13A (BS 1363)** fused plug is used it must be fitted with a 13A fuse. If in doubt consult a qualified electrician.

Wiring for a 13 Amp Plug (BS1363)

Please note. The Earth Terminal is marked with the letter **E** or Earth Symbol \oplus .



PARTS DESCRIPTION



1. Heating Element Assembly
2. Knob
3. Body
4. Position Indication Plate
5. Pull Switch
6. Tube Cover
7. Upper Post Assembly
8. 4 - M5 X 6 Screw
9. Middle Post
10. 4 - M5 X 6 Screw
11. Lower Post Assembly
12. Power Cord
13. Base Cover
14. 4 - M6 X 30 Screw
15. Base Assembly

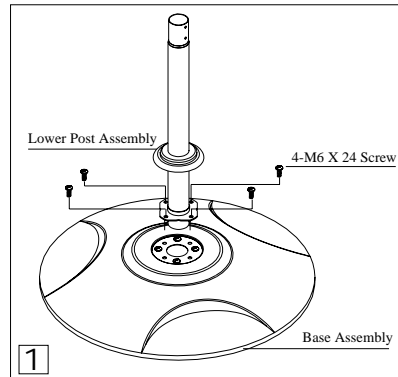
ASSEMBLY INSTRUCTIONS

Your heater is supplied with:

A bag of accessories containing: 8 - M5X6 screws, 4 - M6X30 screws

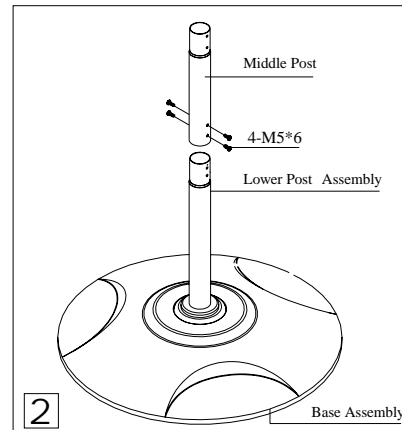
1

Insert the lower post assembly (11) into the base assembly (15) and then fix it tightly using the 4 - M6 X 30 screws (fig.1).

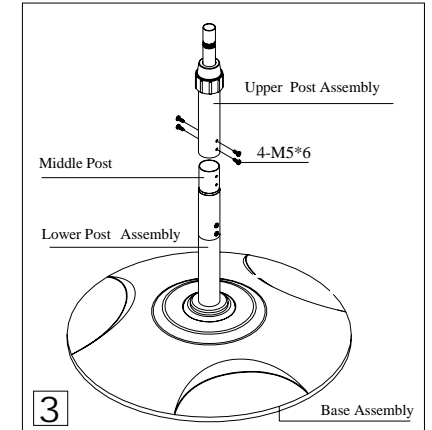


2

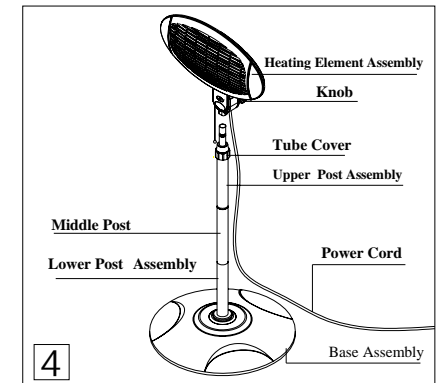
Fit together the Lower Post Assembly (11) and the Middle Post (9) with 4 - M5 X 6 screws (fig.2).



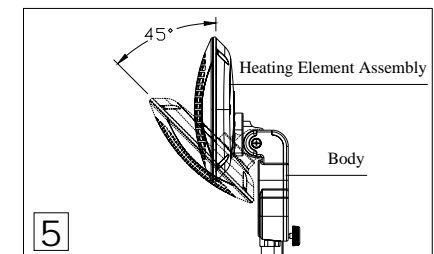
3 Join the Upper Post Assembly (7) together with the Middle Post (9) using 4 - M5 X 6 screws (fig.3).



4 Join the Heating Element Assembly (1) and the Upper Post Assembly (7) together and fix them tightly by rotating the Knob (fig.4).



5 The Heating Element Assembly angle can be adjusted to direct the heat (fig 5).



OPERATING INSTRUCTIONS

The appliance is switched on and off using the pull switch (parts description point 5). The slight vibration noticeable when the appliance is switched on will stop after a few seconds.

- Position 0: Stop
- Position 1: 650W (Low heat)
- Position 2: 1350W (Medium heat)
- Position 3: 2000W (High heat)

MAINTENANCE

Warning: always remove the plug from the mains socket before moving or servicing.

Do not immerse your heater in water.

- Before cleaning turn the heater off and unplug from the power supply. Allow the heater to cool down for a minimum of 15 minutes.
- To clean the heater use a soft cloth to wipe off any dust. If the heater is very dirty use a damp cloth and wipe dry. Do not use any cleaning detergents, sprays or other chemicals, as they will damage the heater.
- Store the heater in the original packaging in a ventilated dry area.

SPECIFICATION

Power: 2000W

Voltage: 220-240V ~ 50Hz

N.W: 9.5kg

G.W: 10.5KG