

Byron

Thank you for purchasing a Byron doorchime. Your new chime is the result of many years of specialised experience in the manufacture of doorbells and chimes. It is made to the highest standards of workmanship from the best possible materials. Nothing has been spared in its design, manufacture and testing. We hope you have many years of never missing a visitor to your door.

778 Instructions

General instructions

WARNING SAFETY PRECAUTIONS - These bells and chimes are designed to work off low voltage only. **NEVER** connect directly to the mains. If in doubt please consult a qualified electrician.

DO NOT use an illuminated bell push with battery operated installation. This will reduce the battery life.

DO NOT position chime over any heat source, i.e. radiator etc.

DO NOT position chime in moist atmosphere, i.e. kitchen or bathroom

DO NOT pinch wiring under a staple or damage insulation in such a way as to cause a short circuit between wires.

DO NOT oil the plunger mechanism.

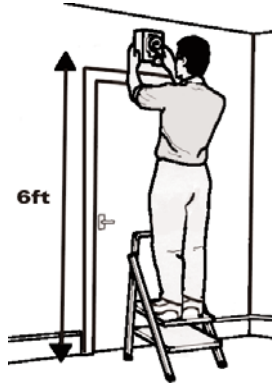


Fig.1

Battery operation.

Remove chime cover

Run the bell wire from your existing or newly installed bell push through the slot in the back of the chime

Fit your chime in the chosen position using the two screws provided. (Optimal height is 6 foot from the floor, fig.1).

Please see the arrow on the middle of the chime to ensure it is fitted the correct way up.

Strip the bell wire to the correct length and connect each wire separately to the terminals marked 3 & 4. (See fig.2)

Insert 4 x LR14 "4" batteries into the battery compartment, noting the polarity.

Test the chime by pressing the bell push.

Replace the chime cover. (Sound will increase with the chime cover on).

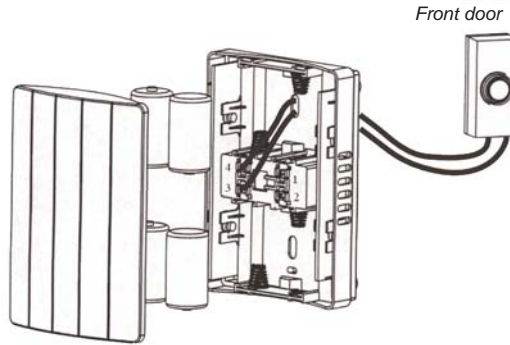


Fig.2

Transformer operation.

Remove chime cover

Run the bell wire from your existing or newly installed bell push through the slot in the back of the chime

Fit your chime in the chosen position using the two screws provided. (Optimal height is 6 foot from the floor).

Please see the arrow on the middle of the chime to ensure it is fitted the correct way up.

Strip the bell wire to the correct length and connect each wire separately to the terminals marked 1 & 3. (See fig.4)

Strip the bell wire from the transformer and connect each wire separately to the terminals marked 2 & 3.

Test the chime by pressing the bell push.

Replace the chime cover. (Sound will increase with the chime cover on).

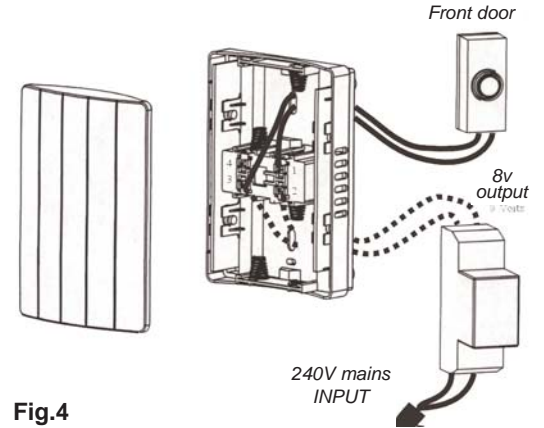


Fig.4

Trouble shooting

No sound:	Check the batteries are correctly positioned Check the wires are connected to the correct terminals Check the bell push is working
Weak sounding chime:	Check the battery power Check the chime is the right way up
Plunger only hitting one chime bar:	Check the battery power Check the wires are connected to the correct terminals
Chime buzzing:	Check the bell wire is not shorting out. the wire may be touching both terminals on the chime or push, causing the plunger to engage Check the clip has not punctured the cable insulation.